

ORDER

VISOMBRA FS6000 (SOMFY)

ORDER N° _____



PLEASE MARK WITH A CROSS. SIZES IN CM. FILL IN COMPLETELY (SEE REVERSE SIDE FOR SPECIAL REMARKS)

NAME	TELEPHONE	ORDER DATE	DESIRED DELIVERY DATE	NOTES
ROAD	CUSTOMER N°	DELIVERY		
ZIP / PLACE	COMMISSION	<input type="checkbox"/> BY MAIL <input type="checkbox"/> BY TRUCK <input type="checkbox"/> EX WORKS		

STOBAG Österreich GmbH ☐ A-3105 St. Pölten-Unterradlberg ☐ Tel. +43 (0)2742 362 080 ☐ Fax: +43 (0)2742 362 074 ☐ www.stobag.at ☐ order@stobag.at

ALU - CONSTRUCTION										DRIVE (VIEWED FROM INSIDE)										AWNINGS LINKED		CRANK			FIXATION							
POSITION	QUANTITY PIECES	COMMISSION	TOTAL WIDTH CM	TOTAL HEIGHT CM	ROUND BOXES	SQUARE BOXES NO BOXES (with round side caps)	C M PROJECTION POINT (ASP) (see drawing on the reverse)	COLOUR *		MECHANICAL		ELECTRONIC		RADIO		0.5m WITH HIRSCHMANN		3.0 m MOTOR CABLE		10.0 m MOTOR CABLE		GEARBOX WITH END STOP		CM	CM	R95/1 + R96/..	S804	R95/1 + R97/2	FS602/1 (single plate)	FS602/2 (double plate)	SPECIAL FIXATION	PUNCHED GUIDE RAILS (soffit installation)
								CLASSIC	TREND	RAL	NCS	VSR	MECHANICAL	ELECTRONIC	RADIO	io	0.5m WITH HIRSCHMANN	10.0 m MOTOR CABLE	R81/1 with internal-4-side	R81/2 with crank handle ring	R81/3 with bayonet	EXTERIOR	R81/4 With internal-4-side			R81/5 With crank handle ring	POSITION CABLE EXIT	BE				

* FOR INFORMATION SEE PRICELIST

COVER **		WELDED ASSEMBLY		OPTIONS		CONVENIENCE PACKAGE					GEARBOX VERSIONS GEARBOX WITH END STOP			POSSIBLE GEARBOX POSITIONS		POSITION CABLE EXIT		POSITION GEAR EXIT											
POSITION	QUANTITY PIECES	DESIGN N°	HORIZONTALLY WELDED COMPLETE TRACK AT BOTTOM	HORIZONTALLY WELDED COMPLETE TRACK AT TOP	TENARA THREAD	STANDARD: Textured side of fabric outwards ***		SPECIAL: grey / white side of fabric outwards ***		BASIC PACKAGE	SUN / WIND		SUN / WIND / RAIN		SUN / WIND / CONNEXOON (fo only)		COMMISSIONING	R81/1 R81/4		R81/2 R81/5		R81/3		R81/4 R81/5		Motor: B = Cable exit only with drop structure installation E = Cable exit standard Internal drive: C = Drive with internal 4-side D = Drive with ring, with bayonet lock External drive: A, D = Drive with ring and cap			
						1 C	4 C	1 C	4 C		1 C	4 C	1 C	4 C	hook	hopper		hook	hopper	+ J	- J	+ J	- J						

** FOR INFORMATION SEE PRICELIST / RECOMMENDATION PRODUCT-FABRICS

1 C = 1 CHANNEL / 4 C = 4 CHANNEL

*** SEE BACK FOR ILLUSTRATION

TECHNICAL DATA

VISOMBRA FS6000 (SOMFY)



Subject to technical changes

for further information see product catalogue

Total width:	max. 400 cm *
Cross Beam Ø 30 mm:	up to TW 250 cm
Cross Beam Ø 45 mm:	TW from 251 cm up to 400 cm
with gearbox:	min. 40 cm
with motor M:	min. 57 cm
with motor E:	min. 66 cm
with motor E radio:	min. 66 cm
Total height	max. 350 cm *
	min. 125 cm
PROJECTION POINT (ASP)	max. 285 cm
	min. 65 cm

*** Depending on material:**

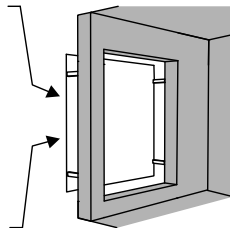
With acrylic fabric	B=400 cm - H=275 cm
	B=350 cm - H=350 cm
With soltis fabric	B=400 cm - H=350 cm

ROTATION ANGLE

Standard from 0° to 180°
Arm with wind safety

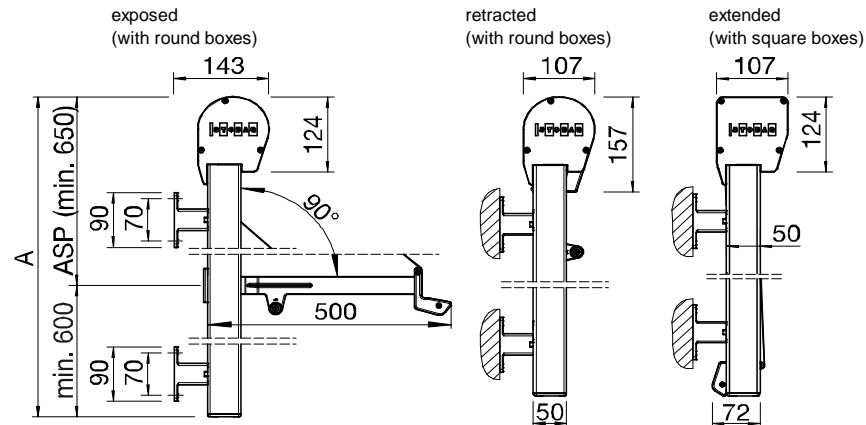
Soltis B-92 / Blockout

STANDARD: Textured side of fabric outwards



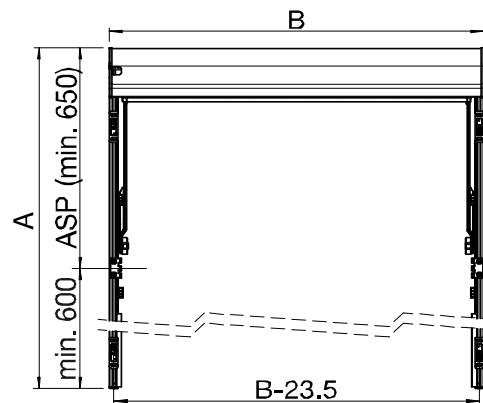
SPECIAL: grey / white side of fabric outwards

VARIATIONS



A = Total height
ASP = Projection point

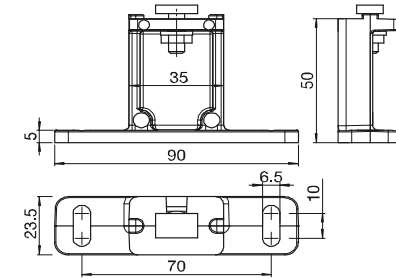
INSTALLATION DRAWING



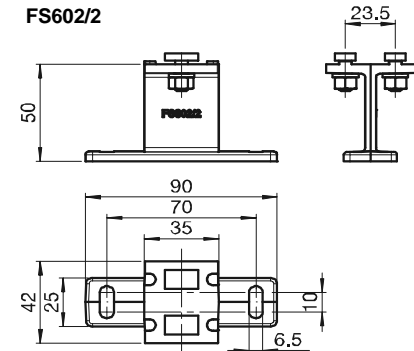
B = Total width
ASP = Projection point

FIXATION

FS602/1



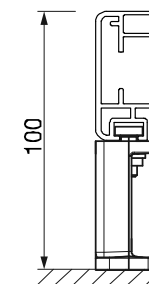
FS602/2



FIXATIONS

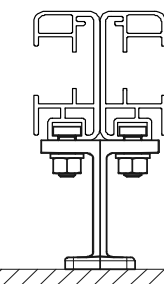
FS602/1

Single plate



FS602/2

Double plate



Installation in niche

