



# TECHNICAL DATA

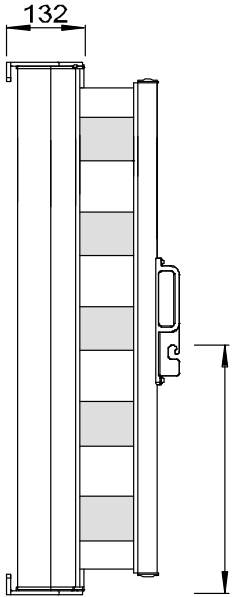
SIRO SR5000 SIRO-FLEX SR6000



Subject to technical changes

for further information see product catalogue

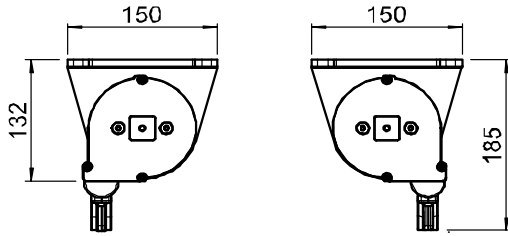
## VERTICAL INSTALLATION



Handle 86 cm up from the ground  
(adjustable)

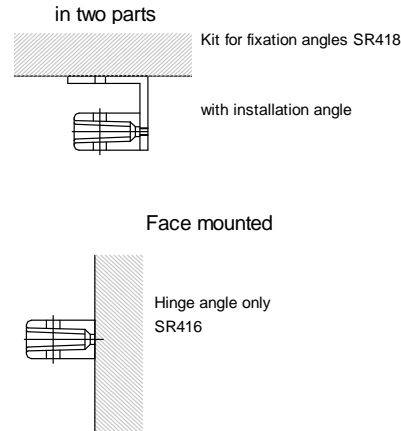
## ADJUSTEMENT ANGLE

US 205/2



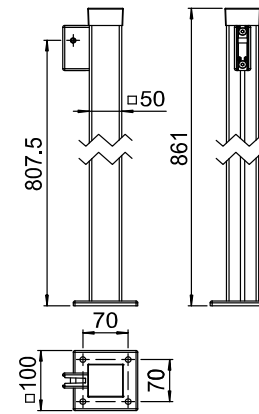
## KIT FOR FIXATION

ANGLES SR418



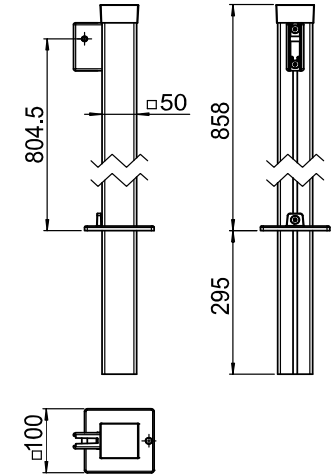
## POST TO SCREW

ON SR 415/1

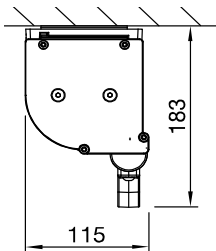


## POST FOR SOCKET SR414/2

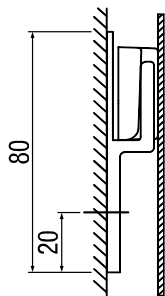
(TO USE WITH SR413/2)



## SIRO-FLEX SR6000



## WALL BRACKET SR606



|                      |                       | SR5000 | SR6000 |
|----------------------|-----------------------|--------|--------|
| <b>Width (Box):</b>  | vertically max.       | 200 cm | 200 cm |
|                      | horizontally max.     | 200 cm | --     |
| <b>Projection:</b>   | max.                  | 400 cm | 400 cm |
| <b>Installation:</b> | vertical / horizontal | + / +  | + / -  |

## COVER FOR SR5000 SR6000

|                    |               |             |
|--------------------|---------------|-------------|
| <b>Projection:</b> | <b>SR5000</b> | max. 400 cm |
| <b>Projection:</b> | <b>SR6000</b> | max. 400 cm |

## GROUND SOCKET SR 413/2

